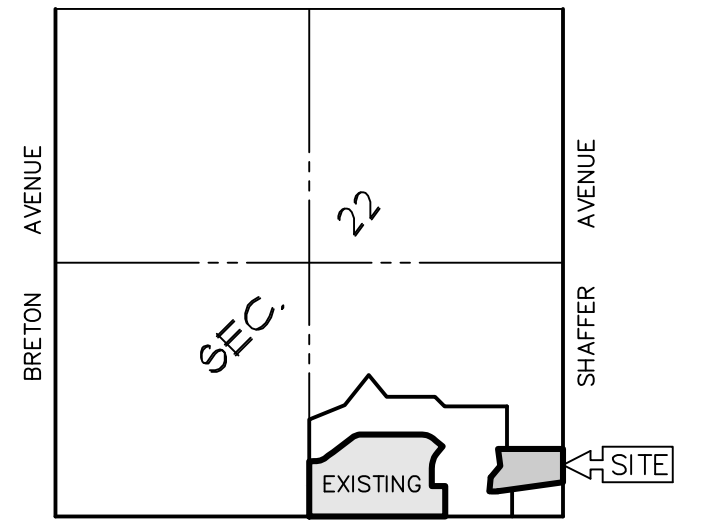
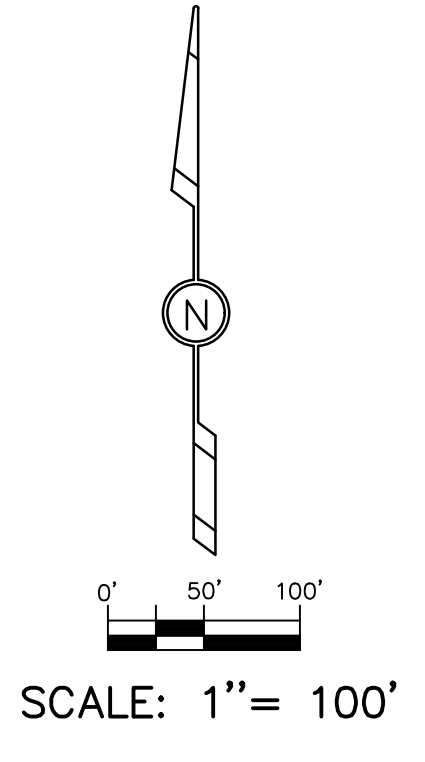


**UTILITY PIPE LEGEND**

	PROPOSED SANITARY SEWER
	PROPOSED WATER MAIN
	EXISTING SANITARY SEWER
	EXISTING WATER MAIN
	FUTURE SANITARY SEWER
	FUTURE WATER MAIN



**LOCATION MAP**  
SCALE: 1" = 2000'



**PRELIMINARY UTILITY PLAN**  
 FOR: COBBLESTONE AT THE RAVINES - VILLAGE EAST CONDOMINIUMS  
 REDSTONE LAND DEVELOPMENT LLC  
 ATTN: DAVID STEBBING  
 3510 SCENIC RIVER DRIVE SW  
 WYOMING, MI 49418  
 IN: PART OF THE SE 1/4 OF SECTION 22, T6N, R11W, CITY OF KENTWOOD, KENT COUNTY, MICHIGAN

REVISIONS:


**exxel engineering, inc.**  
 planners • engineers • surveyors  
 5252 Clyde Park, S.W. • Grand Rapids, MI 49509  
 Phone: (616) 531-3660 Fax: (616) 531-2121  
 www.exxelengineering.com

DRAWN BY: JDR	PROJ. ENG.: RTL	SHEET 1 of 1
APPROVED BY: RTL	PROJ. SURV.: BMF	
FILE NO.: 161009E	DATE: 8/30/2016	

P:\Projects\2016\161009\Drawings\dwg\161009-GR-UTL-LINES\_11/29/2017 3:25:28 PM\_foot